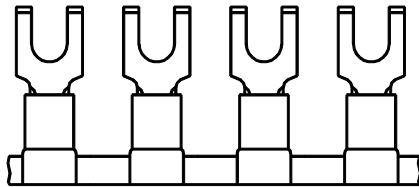


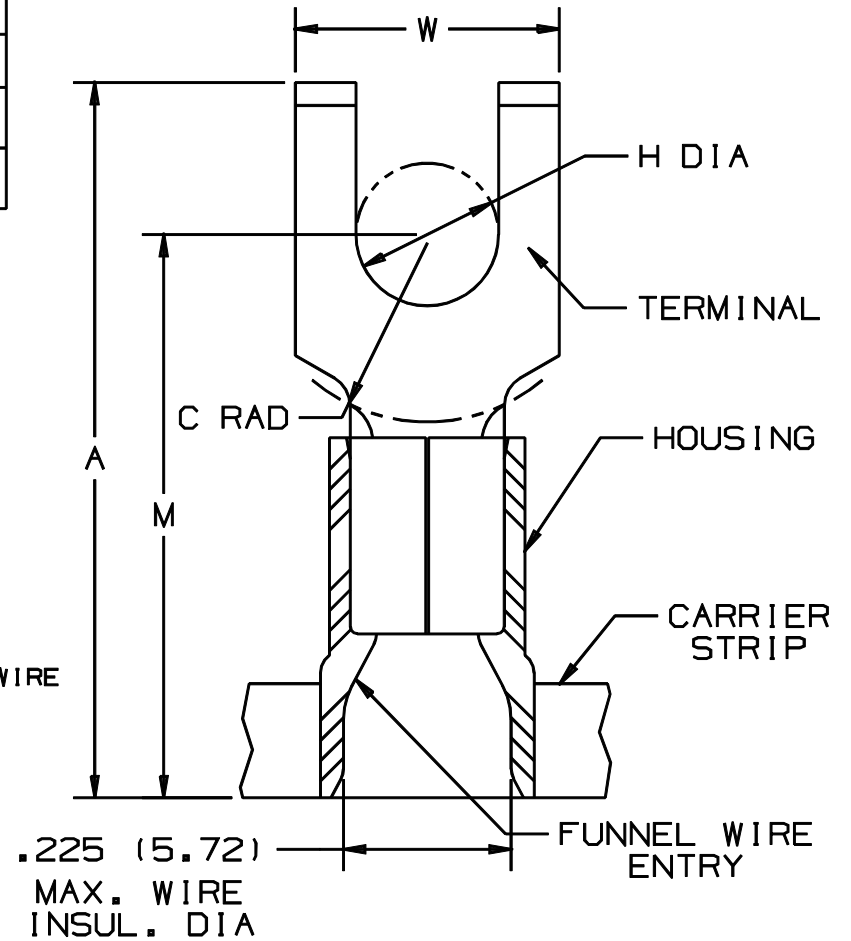
THIS COPY IS PROVIDED ON A RESTRICTED BASIS AND IS NOT TO BE USED IN ANY WAY DETRIMENTAL TO THE INTERESTS OF PANDUIT CORP.

PANDUIT PART NUMBER	STUD SIZE	DIMENSIONS in.				
		A ±.020	W ±.010	C ±.015	M ±.020	H ±.010
PV10-8FFB-2K	#8	1.03 (26.16)	.37 (9.40)	.22 (5.59)	.78 (19.81)	.17 (4.32)
PV10-10FFB-2K	#10	1.03 (26.16)	.37 (9.40)	.22 (5.59)	.78 (19.81)	.20 (5.08)



NOTES :

- UL LISTED AND CSA CERTIFIED FOR :
 A. 600 V MAX. VOLTAGE RATING
 B. 221°F (105°C) MAX. TEMP. RATING
 C. #12-10 AWG (2.5-6.0 mm²) SOLID OR STRANDED, COPPER WIRE
- PACKAGE QTY. : 2K = 2000 PCS.
CONTINUOUS MOLDED CARRIER STRIP
- MATERIAL :
 A. STAMPING - .04" THK COPPER, TIN PLATED
 B. HOUSING - YELLOW VINYL
- DIMENSIONS IN BRACKETS ARE IN MILLIMETERS
- INSTALLATION TOOLS :
 A. PRESSES - CP-851, CP-860, CP-861
 B. APPLICATOR - CA-800
 C. DIE INSERTS - CD-800-3
- WIRE STRIP LENGTH: 11/32 ^{+1/32}/₋₀ (8.7 ⁺⁸/₋₀)



LISTED
587H
E52164



CERTIFIED
LR31212

A41076_02

							TINLEY PARK, ILLINOIS TERMO 2PC CONTINUOUSLY MOLDED VINYL INSULATED, #12-10 BARREL, FLANGED FORKS					
02	12/95	ED	WJB	03857							LA	KS
01	3/88	FS		REDRAWN ON CAD		LA	KS					
REV	DATE	BY	CHK	DESCRIPTION	ECN #	CUST	PM	APP	DRAWN BY FES	CHK'D WJB	SCALE NONE	DRAWING NO. A41076